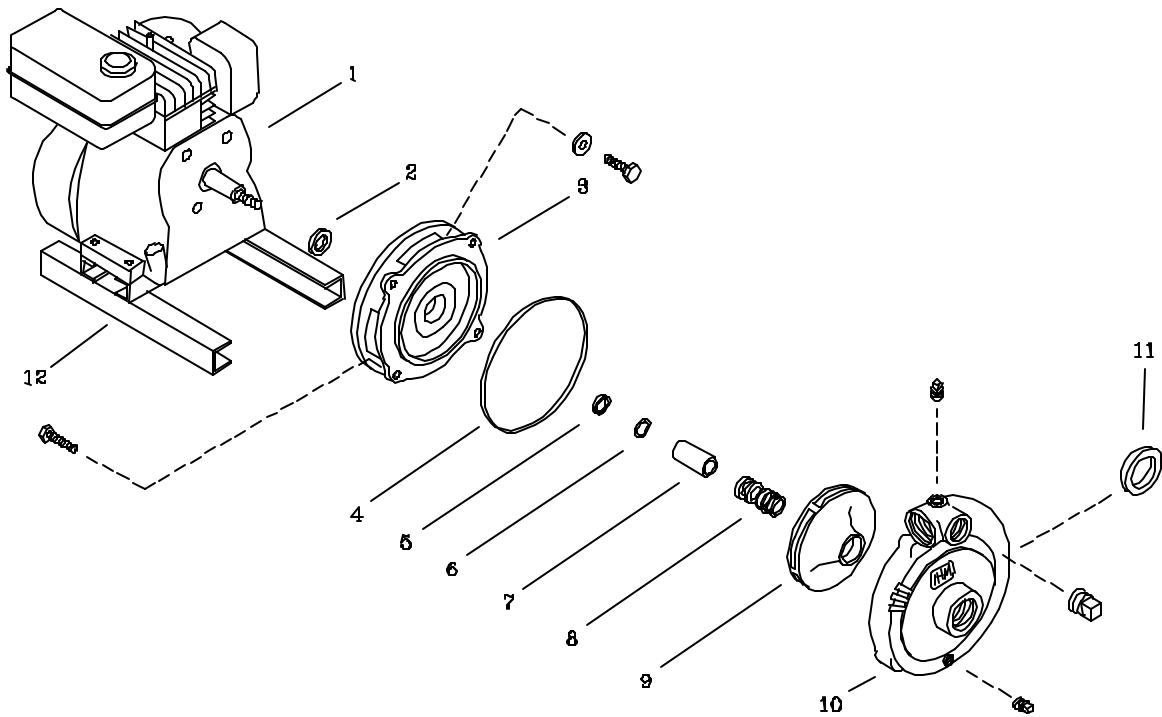


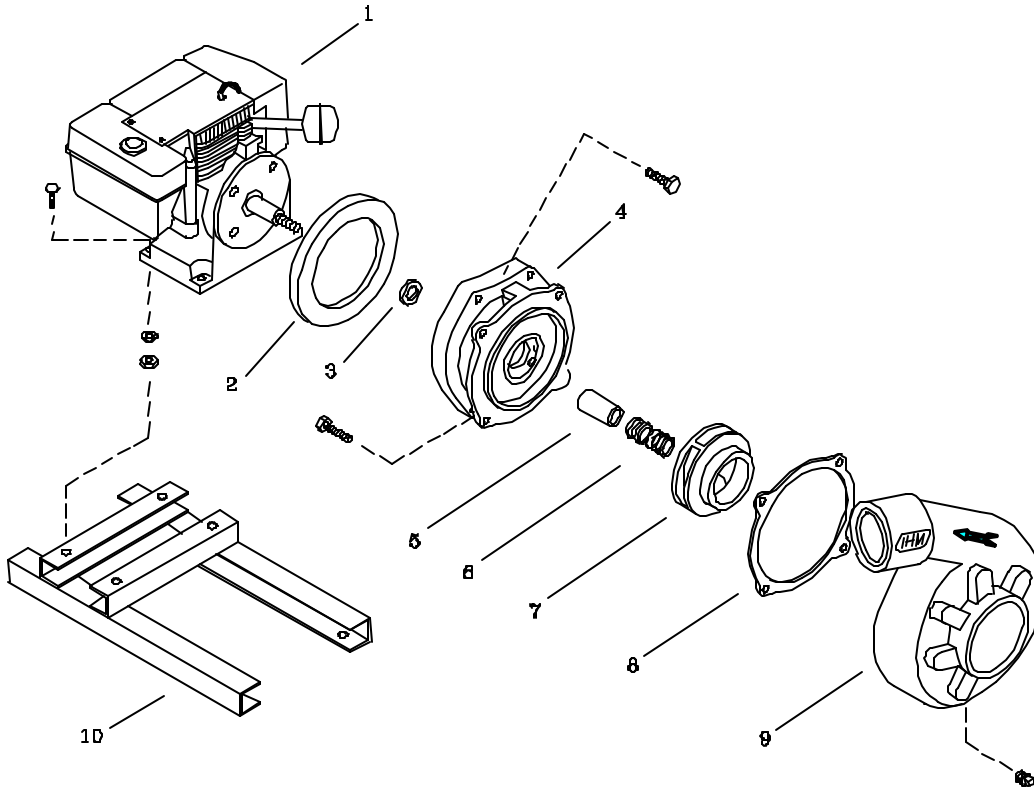
PARTS LIST				
ITEM No	DESCRIPTION	CODE	QUANTITY	
			15AQ/9P	15AQ/12I
1	ENGINE BRIGGS & STRATTON 9P	7887400066	1	
1	ENGINE BRIGGS & STRATTON 12I	8860900066		1
2	WATER SLINGER	9402200051	1	
2	WATER SLINGER	8932800051		1
3	SHAFT SLEEVE	8037800041	1	1
4	BACK PLATE	9203100021	1	1
5	MECHANICAL SEAL TYPE 6 - 3/4"	7008300051	1	1
6	IMPELLER	8821401021	1	
6	IMPELLER	8821400021		1
7	GASKET	9207500051	1	1
8	CASING	9202300021	1	1
9	BASE	9802400046	1	1

THE PARTS LIST CAN BE CHANGED BY US FLUID TECH CORP. WITHOUT NOTICE



PARTS LIST					
ITEM No	DESCRIPTION	CODE	QUANTITY		
			20AG/20I	30AG/18V	30AG/24V
1	ENGINE BRIGGS & STRATTON 20I	8862300066	1		
1	ENGINE BRIGGS & STRATTON 18V	7888000066		1	
1	ENGINE BRIGGS & STRATTON 24V	8051900066			1
2	WATER SLINGER	7220000051	1	1	1
3	BACK PLATE	9203200021	1	1	1
4	GASKET	9207900051	1	1	1
6	O-RING	9308000051	1	1	1
7	SHAFT SLEEVE	8725900041	1	1	1
8	MECHANICAL SEAL 1.1/4 TYPE 21	8032500051	1	1	1
9	IMPELLER	8818900021	1		
9	IMPELLER	8727400021		1	
9	IMPELLER	8725603021			1
10	CASING	9304500021	1		
10	CASING	9304600021		1	1
11	WEAR RING	8726700022	1	1	1
12	BASE	8627400046	1		1
12	BASE	9407400046		1	

THE PARTS LIST CAN BE CHANGED BY US FLUID TECH CORP. WITHOUT NOTICE



PARTS LIST			
ITEM No	DESCRIPTION	CODE	QUANTITY
1	ENGINE BRIGGS & STRATTON 24V	8051900066	1
2	ADAPTER	9517000021	1
3	WATER SLINGER	7220000051	1
4	BACK PLATE	8813200021	1
5	SHAFT SLEEVE	8509600041	1
6	MECHANICAL SEAL 1.1/4 TYPE 21	8032500051	1
7	IMPELLER	88131B0021	1
8	GASKET	8813400043	1
9	CASING	8813300021	1
10	BASE	8627400046	1

THE PARTS LIST CAN BE CHANGED BY US FLUID TECH CORP. WITHOUT NOTICE